



MODEL: VP4FTUCCTW2

SKU: 900015UCCTW4FT2

LED VAPOR PROOF 4FT

ELAKEVIEW ENTERPRISE LTD.

PRODUCT DESCRIPTION

The Elakeview LED Vapor Proof is designed for environments Works perfectly for all commercial and industrial applications where weather and/or dust resistant lighting application is required.



HIGHLIGHTS

- AC120-347V
- Class2 0-10V Dimming Driver, 4/6KV surge protector, w/overtemperature protection
- Wattage Selectable: 26/35/45W
- Color Temperature Selectable: 3500/4000/5000K
- Efficacy: 142LM/W
- Receptacle for Microwave Dimming Sensor (Sensor Sold Separately)
- Suitable for Damp Location
- Easy to Install and Operate
- Over 50,000 Hours Life Time
- DLC 5.1, cUL, NSF, NEMA 4X Listed
- Standard 5 Years Warranty



APPLICATIONS

Suitable to storage areas, farms, underground parking, food industry, painting industry, etc.

ORDERING INFORMATION

ORDER SKU	DLC MODEL#	DLC PRODUCT ID	CRI	INPUT VOLTAGE	POWER	EFFICACY	DELIVERED LUMENS	CCT	FINISH	SIZE
900015UCCTW4FT2	VP4FTUCCTW2	S-4BMS88	>80	AC120-347V	26/35/45W	142LM/W	3640/4900/6300LM	3500/4000/5000K	WHITE	4FT
900015UCCTW2FT	VP2FTUCCTW	S-ECM09R	>80	AC120-347V	15/20/25W	130LM/W	2750/3300/4400LM	3500/4000/5000K	WHITE	2FT
900015UCCTW4FTA	VP4FTUCCTW	S-7KML5V	>80	AC120-347V	34/38/45W	132LM/W	4488/5016/5940LM	3500/4000/5000K	WHITE	4FT
900015UCCTW8FTA	VP8FTUCCTW	S-680N2L	>80	AC120-347V	65/75/90W	132LM/W	8580/9900/11880LM	3500/4000/5000K	WHITE	8FT

REV 1



MODEL: VP4FTUCCTW2

SKU: 900015UCCTW4FT2

LED VAPOR PROOF 4FT

ELAKEVIEW ENTERPRISE LTD.

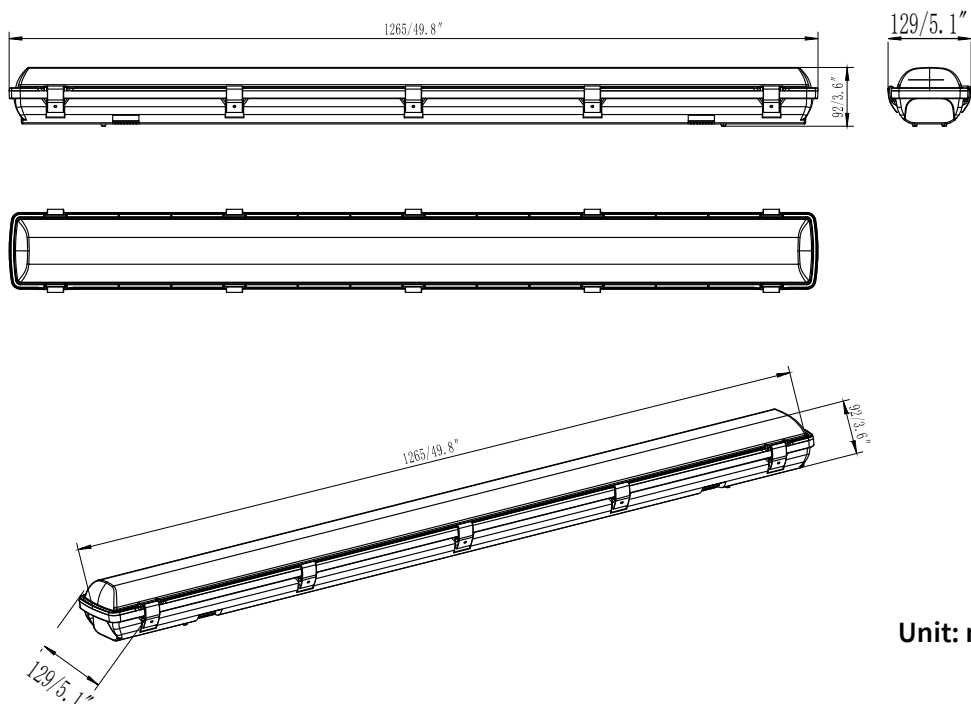
PRODUCT FEATURES

- AC120-347V
- Class2 0-10V Dimming Driver, 4/6KV surge protector, w/overtemperature protection
- Wattage Selectable: 26/35/45W
- Color Temperature Selectable: 3500/4000/5000K
- Efficacy: 142LM/W
- One-piece polycarbonate housing
- Frosted polycarbonate lens
- Surface and suspended mounting clamp inside
- Receptacle for Microwave Dimming Sensor (Sensor Sold Separately)
- Suitable for Damp Location
- Easy to Install and Operate
- Over 50,000 Hours Life Time
- DLC 5.1, cUL, NSF, NEMA 4X Listed
- Standard 5 Years Warranty

PRODUCT SPECIFICATIONS

WATTS	EFFICACY	LUMENS	COLOR TEMP	BEAM ANGLE	CRI	VOLTAGE	POWER FREQ	POWER FACTOR
26/35/45W	142LM/W	3640/4900/6300LM	3500/4000/5000K	110°	>80	AC120-347V	60HZ	>.99

DIMENSIONS



Unit: mm/inch

REV 1



MODEL: VP4FTUCCTW2

SKU: 900015UCCTW4FT2

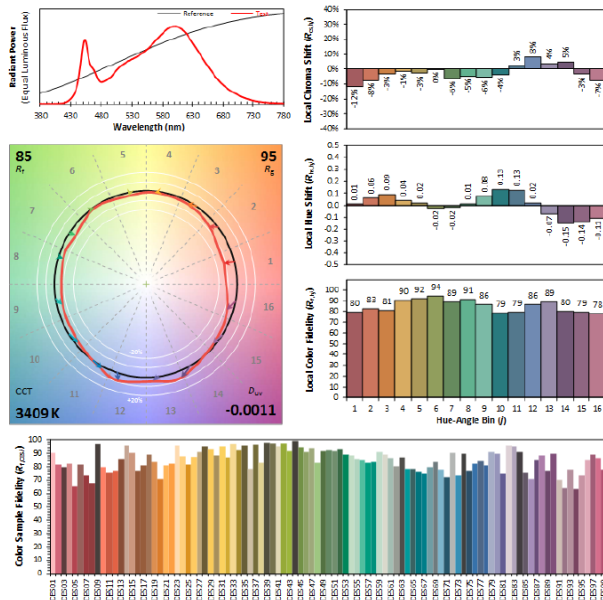
LED VAPOR PROOF 4FT

ELAKEVIEW ENTERPRISE LTD.

PHOTOMETRIC INFORMATION

Lamp Output: 1 lamp, rated Lumens/lamp: 6355.9
 Input Wattage: 44.71
 Luminous Opening: Rectangle w/Luminous Sides
 (L: 48.82", W: 4.13", H: 1.18")
 Max Cd: 2,107.8 at Horizontal: 45°, Vertical: 1°
 CUTOFF CLASS: Semicutoff
 Roadway Class: VERY SHORT, TYPE II
 Efficiency: 100%

COLOR RENDITION REPORT



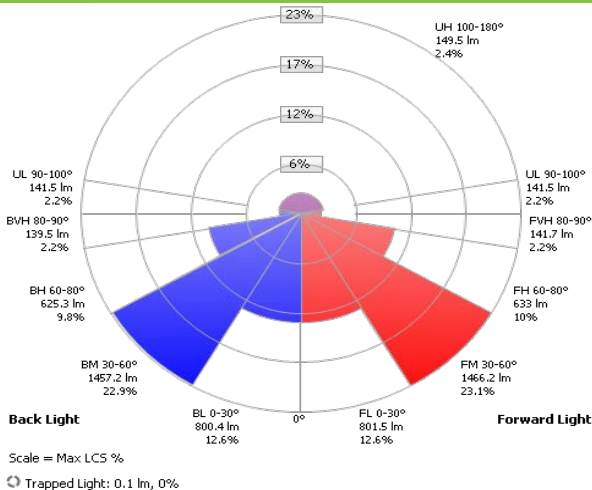
Notes: This is a recommended method for displaying ANSI/IES TM-30-18 information.

R_f	0.4093	CIE 13.3-1995 (CRI)
R_g	0.3903	
R_z	0.2385	
R_i	0.5117	

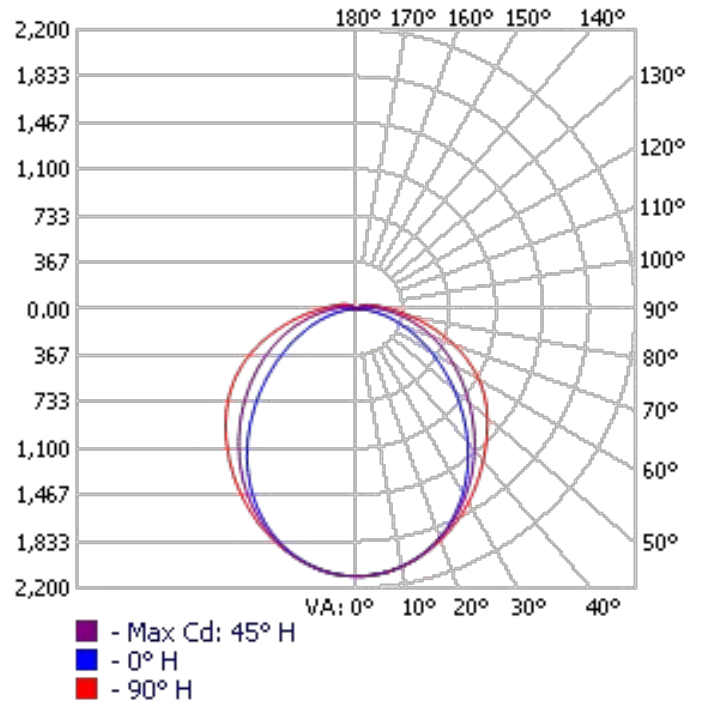
R_a 84
 R_g 11

Colors are for visual orientation purposes only. Created with the ANSI/IES TM-30-18 Calculator Version 2.00.

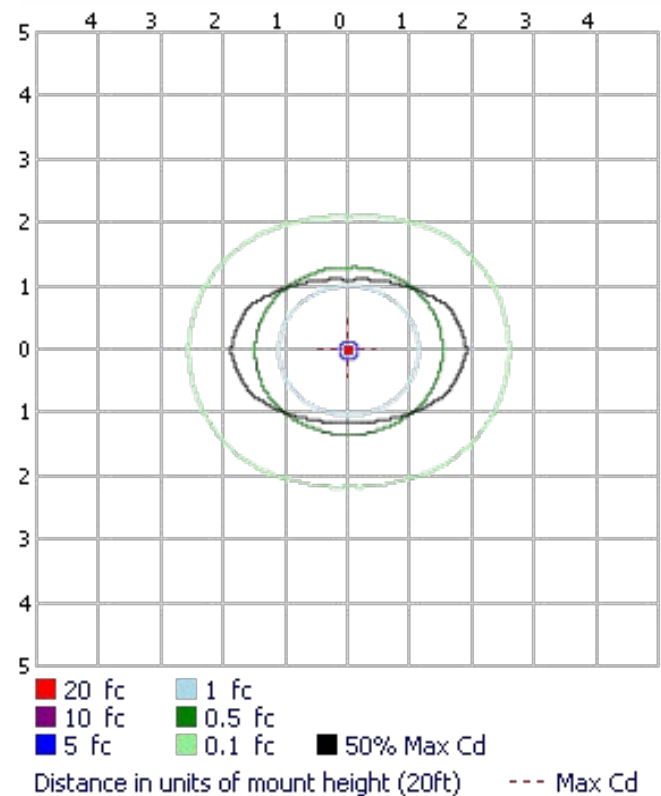
LCS GRAPH



POLAR CANDELA DISTRIBUTION



ISOFOOTCANDLE PLOT



REV 1