

LED BOLLARD LIGHT



MODEL: BL25WIUCCTW

SKU: 700064

LED BOLLARD LIGHT ELAKEVIEW ENTERPRISE LTD.

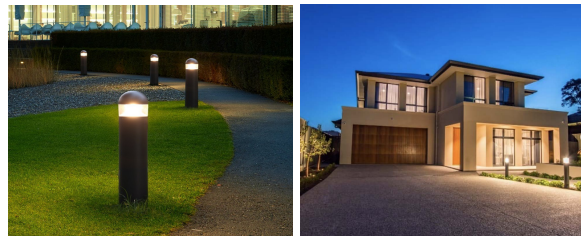
PRODUCT DESCRIPTION

The Elakeview LED bollard light offers a smooth and modern appearance with die-cast aluminum housing. Designed to illuminate outdoor spaces like pathways, townhouses, and public areas. The bollard light is the perfect solution to enhance safety and visibility at night.



HIGHLIGHTS

- AC120-347V
- Class2 0-10V Dimming Driver, 4/6KV surge protector, w/overtemperature protection
- Color Temperature Selectable: 3000/4000/5000K
- Wattage Selectable: 8/15/20/25W
- CRI > 70
- Efficacy: 135 LM/W
- Microwave motion, photocell sensor/Emergency battery backup optional
- Flat top, 42 inch base
- L7 > 50,000 hours
- DLC 5.1 P, cETL Listed, IP65 rated
- 5 Years Warranty.



APPLICATIONS

Designed for pathways, sidewalks, building entrances, parking lots, and any commercial property that requires ground level illumination

ORDERING INFORMATION

ORDER SKU	DLC MODEL#	CRI	INPUT VOLTAGE	POWER	EFFICACY	DELIVERED LUMENS	CCT	FINISH	SIZE
700064	BL25WIUCCTW	70	AC120-347V	8/15/20/25W	135LM/W	1080/2025/2700/3375LM	3000/4000/5000K	BRONZE	400/670/1050mm
700063	BL25WIUCCTW	70	AC120-347V	8/15/20/25W	135LM/W	1080/2025/2700/3375LM	3000/4000/5000K	BRONZE	400/670/1050mm

LED BOLLARD LIGHT



LED BOLLARD LIGHT

ELAKEVIEW ENTERPRISE LTD.

PRODUCT FEATURE

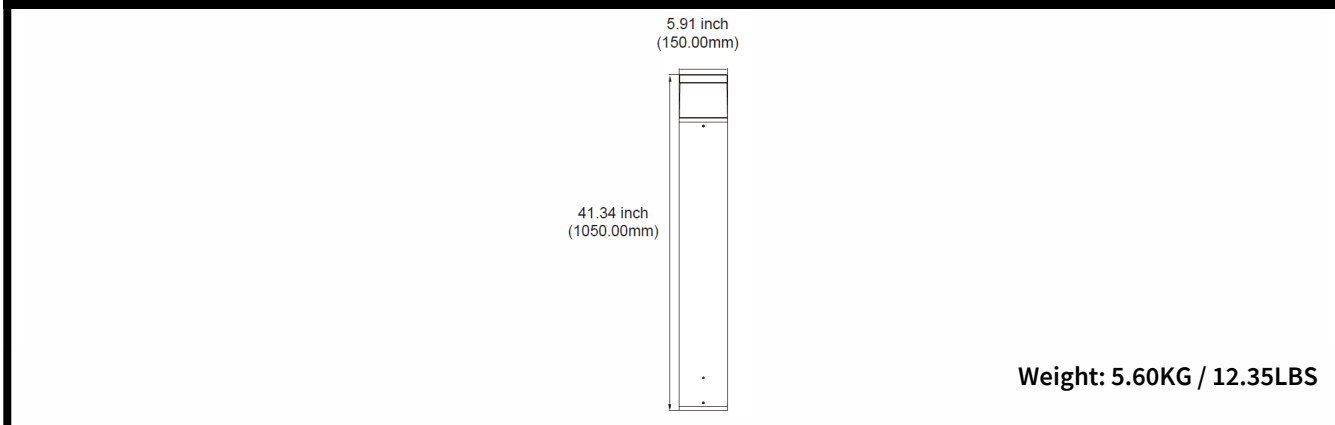
- AC120-347V
- Class2 0-10V Dimming Driver, 4/6KV surge protector, w/overtemperature protection
- Color temperature Selectable: 3000/4000/5000K
- Wattage Selectable: 8/15/20/25W
- CRI>70
- Efficacy: 135 LM/W
- Operating temperature: -40° C to 40° C
- Tempered glass refractor
- Built-in 3030 LED chip
- Flat top, 42 inch base
- Durable die-casting aluminum housing
- Microwave motion, photocell sensor / Emergency battery backup optional
- Unique design, strong extruded lamp body
- Easy to install and operate
- DLC 5.1 P, cETL Listed, IP65 Rated
- IK protection rating: 08

5 years warranty, 100,000 hrs Lifespan

PRODUCT SPECIFICATIONS

WATTS	DELIVERED LUMENS	COLOR TEMP	EFFICACY	BEAM ANGLE	CRI	VOLTAGE	POWER FREQ	POWER EFFICIENCY	POWER FACTOR	THD
8W	1080LM	3000K	135LM/W	110°×105°	70	AC120-347V	50/60Hz	>90%	0.9	<15%
15W	2025LM	4000K								
20W	2700LM	5000K								
25W	3375LM									

DIMENSIONS



REV 1

LED BOLLARD LIGHT

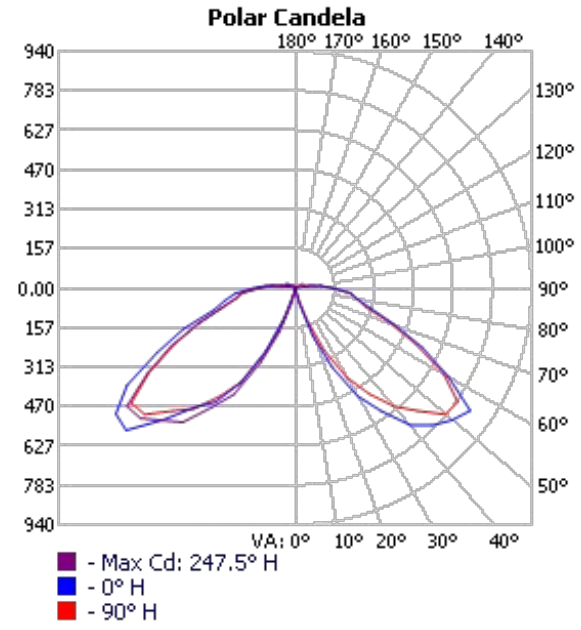


LED BOLLARD LIGHT ELAKEVIEW ENTERPRISE LTD.

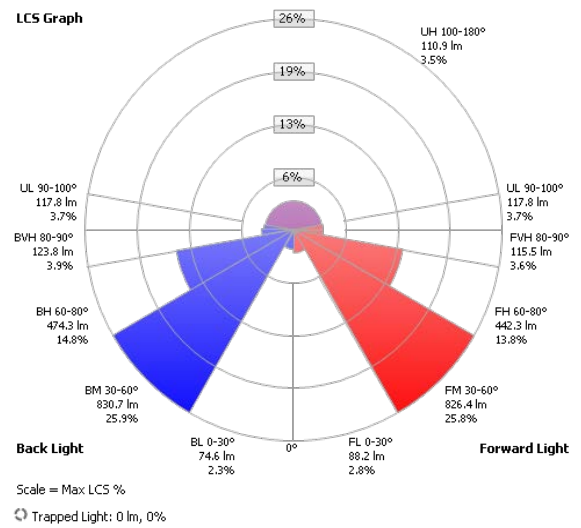
PHOTOMETRIC INFORMATION

Fixture Output: rated Lumens/Fixture: 202.4 Input Wattage: 23.79
Beam Angle (°): 110
Luminous Opening: (L:5.91", W:5.91", H:4.33")
Max Cd: 935.9 at Horizontal: 247.5°, Vertical : 55°
CUTOFF Class: Non-cutoff
Roadway Class: Type VS
Efficiency: 100.1%

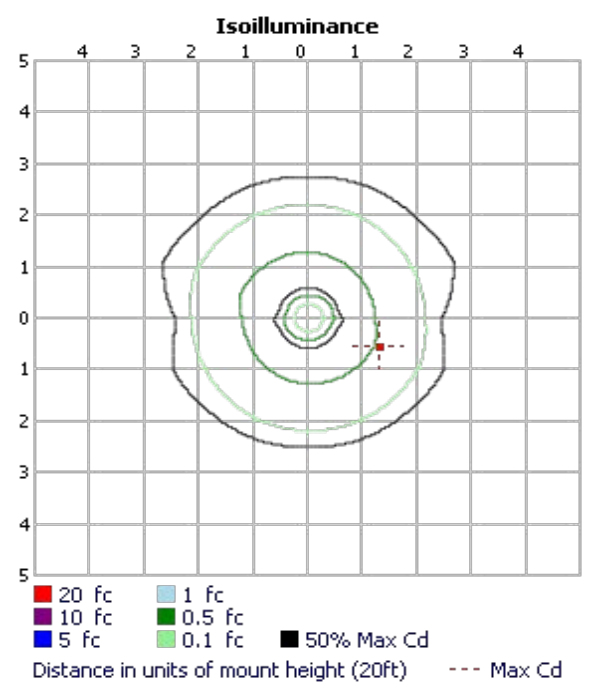
POLAR CANDELA DISTRIBUTION



LCS GRAPH



ISOILLUMINANCE PLOT



LUMENS PER ZONE

Lumens Per Zone					
Zone	Lumens	% Total	Zone	Lumens	% Total
0-10	0.3	0.0%	90-100	117.8	3.7%
10-20	19.8	0.6%	100-110	44.1	1.4%
20-30	143.6	4.5%	110-120	33.1	1%
30-40	354.2	11.1%	120-130	17.2	0.5%
40-50	577.7	18.0%	130-140	6.7	0.2%
50-60	725.6	22.6%	140-150	6.1	0.2%
60-70	566.3	17.7%	150-160	3.0	0.1%
70-80	350.0	10.9%	160-170	0.8	0%
80-90	239.3	7.5%	170-180	0.1	0%

REV 1