

LED AREA LIGHT



MODEL: AL150WUCCTW

SKU: 700057UCCTW

LED AREA LIGHT

ELAKEVIEW ENTERPRISE LTD.

PRODUCT DESCRIPTION

The Elakeview Nebula LED Area Light developed with rugged, Die-Cast aluminum housing, built-in 6KV/10KV surge protector, class 2 driver. It has universal power input from AC120-347V, field CCT/wattage selectable feature, and integrated receptacle for photocell/motion sensor that satisfies all high quality required exterior lighting projects.



HIGHLIGHTS

- AC120-347V
- 6KV/10KV surge protector, Class 2 driver w/overtemperature protection
- Color temperature Selectable: 3500/4100/5000K
- Wattage Selectable: 100/120/150W
- 0- 10V Continuous dimming
- W/receptacle f/Photocell/motion sensor
- Pressure Relief Resistor
- Quick release access cover
- Various mounting options
- L70 - 70,000 Hours
- 10 Year warranty
- DLC 5.1 P, IP65 rated, cETL Listed



APPLICATIONS

Designed for commercial and industrial exterior light applications.

ORDERING INFORMATION

| ORDER SKU | DLC MODEL# | CRI | INPUT VOLTAGE | POWER | EFFICACY | DELIVERED LUMENS | CCT | FINISH | SIZE |
|--------------------|--|-----|---------------|--------------|------------------|---------------------|-----------------|--------|--------------|
| 700056UCCTW | AL100WUCCTW | >70 | AC120-347V | 60/80/100W | 140/160/150 LM/W | 9000/12000/15000LM | 3500/4100/5000K | BRONZE | 330*592*64mm |
| 700057UCCTW | AL150WUCCTW | >70 | AC120-347V | 100/120/150W | 140/160/150 LM/W | 15000/18000/22500LM | 3500/4100/5000K | BRONZE | 330*592*64mm |
| 700057UCCTW-WHITE | AL150WUCCTW | >70 | AC120-347V | 100/120/150W | 140/160/150 LM/W | 15000/18000/22500LM | 3500/4100/5000K | WHITE | 330*592*64mm |
| 700015UCCTW | AL200WUCCTW | >70 | AC120-347V | 150/200/240W | 140/160/150 LM/W | 22500/30000/36000LM | 3500/4100/5000K | BLACK | 330*592*64mm |
| 700058UCCTW | AL300WUCCTW | >70 | AC120-347V | 300/420W | 140/160/150 LM/W | 45000/63000LM | 3500/4100/5000K | BLACK | 632*755*60mm |
| 7000059AL | U Bracket for 700015UCCTW, 700056UCCTW, 700059UCCTW, 700058UCCTW | | | | | | | | |
| 700060SU | Slip fitter for SKU 700056UCCTW, 700057UCCTW, 700015UCCTW, 700058UCCTW | | | | | | | | |
| 700060U3IN1 | 3 in1 universal slip fitter/arm mount for round & flat pole, f/ SKU: 700056UCCTW, 700057UCCTW, 700015UCCTW, 700058UCCTW | | | | | | | | |
| 700060U3IN1-WHITE | 3 in1 universal slip fitter/arm mount for round & flat pole, white finish, f/ SKU: 700057UCCTW-WHITE, | | | | | | | | |
| 700061SU | Adjustable horizontal arm for SKU 700056UCCTW, 700057UCCTW, 700015UCCTW, 700058UCCTW | | | | | | | | |
| Photocell-ANT54TPC | Photocell for area light, DC12-24V, 25mA, Max 0,4W, -40C to+70C: for SKU 700056UCCTW, 700057UCCTW(white), 700015UCCTW, 700058UCCTW. MF code: ANT-5-4T-PC | | | | | | | | |

REV 1

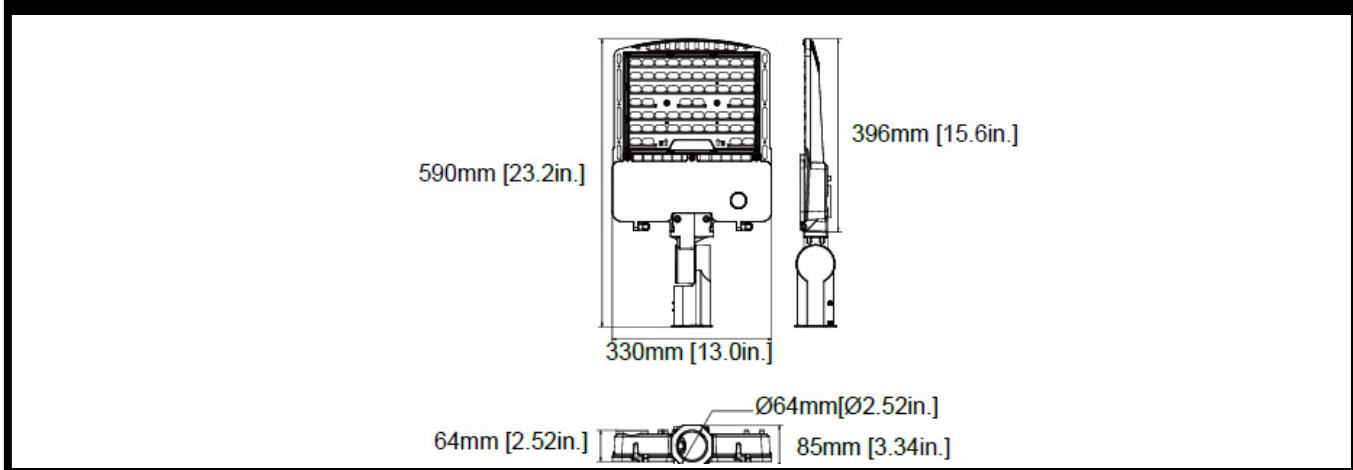
PRODUCT FEATURE

- AC120-347V
- 6KV/10KV surge protector, Class2 driver w/overtemperature protection
- Wattage selectable: 100/120/150W
- Color temperature Selectable: 3500/4100/5000K
- Efficacy - 140/160/150 LM/W
- CRI > 70
- 0 - 10V Continuous dimming.
- Operating temperature: -40° C to 40° C
- Pressure Relief Respirator
- Quick release access cover
- W/receptacle f/Photocell/motion sensor
- Various mounting options
- Aluminum die-cast housing with heat sink
- Easy to install and operate
- DLC 5.1 P, IP65 rated, cETL Listed
- 10 years warranty, 70,000 hrs Lifespan

PRODUCT SPECIFICATIONS

| WATTS | DELIVERED LUMENS | COLOR TEMP | EFFICACY | BEAM ANGLE | CRI | VOLTAGE | POWER FREQ | POWER EFFICIENCY | POWER FACTOR | THD | COLOR |
|-------|------------------|------------|----------|------------|-----|------------|------------|------------------|--------------|------|--------|
| 100W | 15000LM | 3500K | 140LM/W | T3 | >70 | AC120-347V | 60HZ | 99% | ≥90% | ≤20% | BRONZE |
| 120W | 18000LM | 4100K | 160LM/W | | | | | | | | |
| 150W | 22500LM | 5000K | 150LM/W | | | | | | | | |




DIMENSIONS



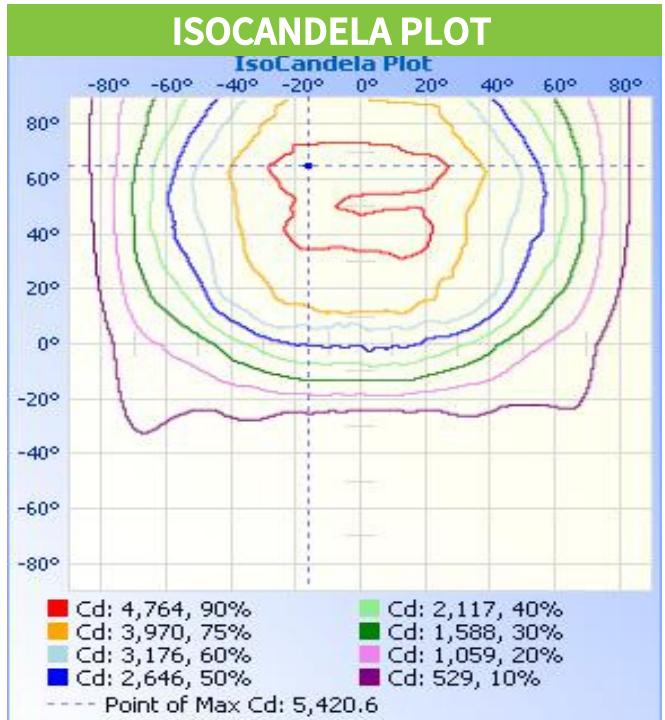
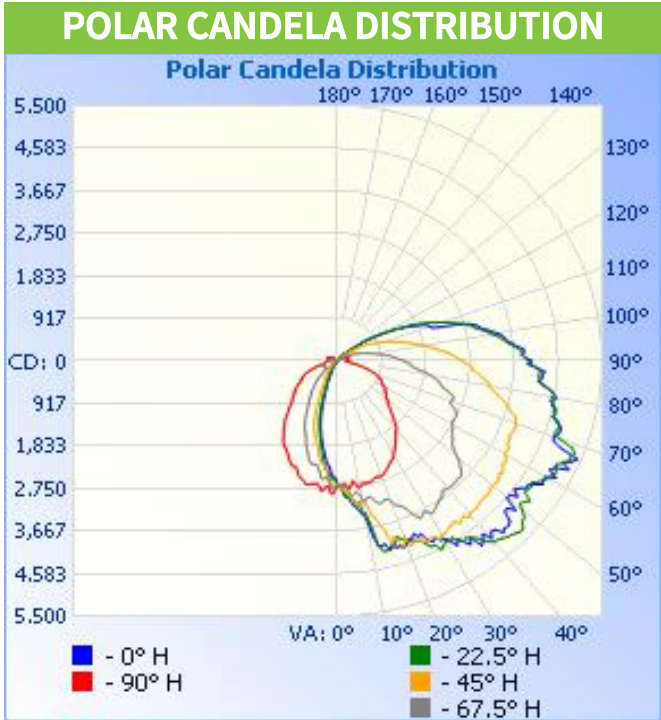
MOUNTING OPTIONS

| | | | |
|---|---|---|---|
|  |  |  |  |
| Parts | U Bracket | Slip Fitter | Adjustable Horizontal Arm |
| SKU | 700059AL | SKU | 700060HG |
| SKU | | SKU | 700061HG |
| SKU | | SKU | 700060U3IN1 |

OPTIONAL ACCESSORIES

| | | |
|--|---|---|
|  |  |  |
| Remote Control | Dimming Motion Sensor | Photocell |
| RC-100 | HBUMSENSOR-DC12V | Photocell-ANT54TPC |

LED AREA LIGHT ELAKEVIEW ENTERPRISE LTD.



PHOTOMETRICS

Mester offers a complete set of optical systems to meet every site lighting requirement. These systems provide remarkable flexibility in precisely matching light distribution patterns to specific site requirements.

Type 3 optics produce an asymmetrical pattern that directs the majority of the light forward and equally on both sides of the luminaire. In a back-to-back configuration, it creates a rectangular pattern which can extend pole spacings.

Type 4 is suitable for applications where light is primarily required forward with minimal backlight. Typical installations include perimeter poles.

Type 5 optics produce a symmetrical square distribution pattern that distributes light equally on all sides of the luminaire. Type 5 luminaires is universal for most area lighting applications

